



WECON Industrial Panel PC Catalog 2017

WECON Technology Co.,Ltd

Addr: 10th building, E field, Software Park, Fuzhou, Fujian, China

Tel: +86059187868869 ext 894(Sales Representative)
ext 886(Technical Support)

Whatsapp: +8618695607360

Website: www.we-con.com.cn/en

Skype: live:felix_3876
fcwkkj

Email: sales@we-con.com.cn

Technical Support: liux@we-con.com.cn



HARDWARE FEATURES

WPC-Series Industrial PC

Main Features



- Intel Baytrail J1900 4-Core CPU , 178°full view LED screen, high resolution ;
- Shell is made in matte and smooth steel plate, more beautiful and more stable.
- USB3.0 supported, two ways 1000MB Ethernet network support, WIFI is optional.
- Resistance touch screen with dust-proof and oil-proof, the life-time is more than 30 million times.
- Turn-on by power supported, support uninterrupted running with 24 hours. All capacitors are solid-state
- Stainless steel power switch, aviation plug for power-supply port.
- 2-channel Built-in speakers.
- VGA and HDMI output
- SSD solid disk supported



HARDWARE FEATURES

WPC-Series Industrial PC

CPU



- Intel Baytrail J1900 4-Core CPU , lower power assumption and higher speed.
- Best fanless cooling performance without noise



Interface and Ports



- Maximum 6 serial ports, RS232/RS485/RS422 supported
- VGA and HDMI output supported
- 1000MB Ethernet network support(Maximum 2), WIFI is optional.
- Microphone and speakers.
- DC 12V power supply



WPC-Series Industrial PC

OS and Software >>



- Windows7/Windows 8/Windows10
- SCADA software based on Windows system
- Linux System supported(it is supported by customer themselves)



INSTALLATION

WPC-Series Industrial PC



VESA



Wall-hanging style



Desktop type



Embedded installation

SPECIFICATIONS

Industrial PC



Model	WPC-100403A	WPC-120403A	WPC-150403A
-------	-------------	-------------	-------------

Screen Size	10.4 inch	12 inch	15 inch
Shell material	Steel		
Shell color	Black		
CPU	Intel Celeron J1900	Intel Celeron J1900	Intel Celeron J1900
Resolution	1024*768	1024*768	1024*768
Screen ratio	4:3	4:3	4:3
Touch screen	5-wire analog resistive		
Memory	4G DDR3		
SSD	32GB SSD (64GB/128GB optional)		
Display chip	IntelHD Graphics		
Audio chip	Integrated Realtek ALC662		
Networkcard chip	Integrated RTL 8111 GigabitNIC		
Power Adapter	100-240V input; 12V/5A output		
Size(mm)	276.0*214.0*46.0	316.0*260.0*56.0	375.0*290.0*53.0
Cut size(mm)	252.5*189.7	295.0*238.0	355.0*271.0
Gross Weight (KG)	5	6	7
Temperature	-10 °C ~ 50 °C	-10 °C ~ 50 °C	-10 °C ~ 50 °C
System	Windows 7 (inofficial) (support Windows 7/8/10)		
Power	<25W	<25W	<30W
USB Host	4	6	6
Serial Ports	RS232 * 2	RS232*6 (COM3 optional for RS485/422)	RS232*6 (COM3 optional for RS485/422)
Network	RJ45*1(Ethernet)	RJ45*1(Ethernet)	RJ45*1(Ethernet)
VGA	1		
HDMI	1		
Audio	1		
Wifi	Optional		
Installation methods	VESA, Wall-hanging, Desktop and Embedded installation		
Industrial environment	Industrial dust,anti-stress,anti-interference, high and low temperature stability,support 24 hours of continuous operation		

SPECIFICATIONS

Industrial PC



Model	WPC-170403A	WPC-190403A	WPC-211609A
-------	-------------	-------------	-------------

Screen Size	17 inch	19 inch	21.5 inch
Shell material	Steel		
Shell color	Black		
CPU	Intel Celeron J1900	Intel Celeron J1900	Intel Celeron J1900
Resolution	1280*1024	1280*1024	1920*1080
Screen ratio	4:3.2 (5:4)	4:3.2 (5:4)	16:9
Touch screen	5-wire analog resistive		
Memory	4G DDR3		
SSD	32GB SSD (64GB/128GB optional)		
Display chip	IntelHD Graphics		
Audio chip	Integrated Realtek ALC662		
Networkcard chip	Integrated RTL 8111 Gigabit NIC		
Power Adapter	100-240V input; 12V/5A output		
Size(mm)	415.0*337.0*57.0	451.0*380.0*59.2	552.9*345.0*57.0
Cut size(mm)	394.0*316.0	432.5*361.5	447.8*269.3
Gross Weight (KG)	8	10	12
Temperature	-10 °C ~ 50°C	-10 °C ~ 50°C	-10 °C ~ 50°C
System	Windows7 (inofficial) (support Windows7/8/10)		
Power	<35W	<45W	<38W
USB Host	4	4	4
Serial Ports	RS232*6 (COM3 optional for RS485/422)	RS232*2	RS232*6 (COM3 optional for RS485/422)
Network	RJ45*2(Ethernet)	RJ45*1(Ethernet)	RJ45*2(Ethernet)
VGA	1		
HDMI	1		
Audio	1		
Wifi	Optional		
Installation methods	VESA, Wall-hanging, Desktop and Embedded installation		
Industrial environment	Industrial dust,anti-stress, anti-interference, high and low temperature stability,support 24 hours of continuous operation		

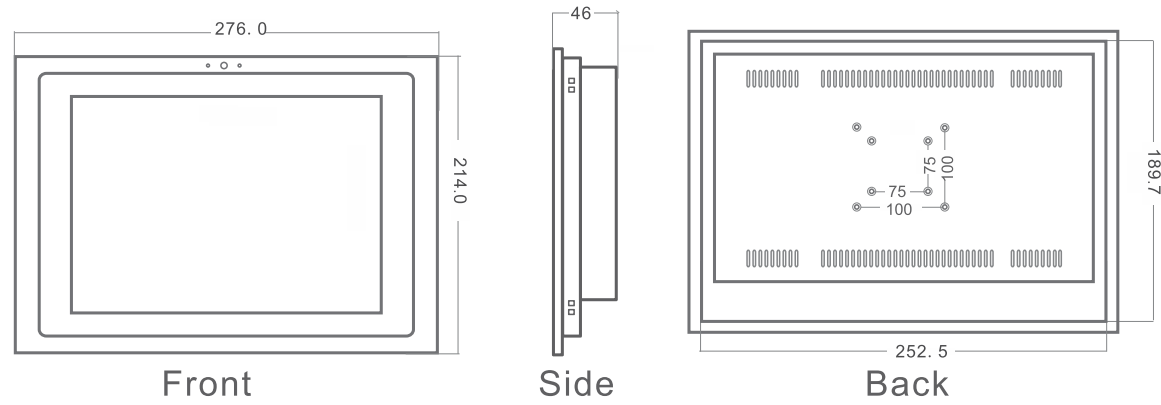
- Industrial Automation
- Environment Monitoring
- Building Advertisement
- SCADA System
- Digital Labeling
- Military and Aero-Space
- Sales and POS System
- IoT System



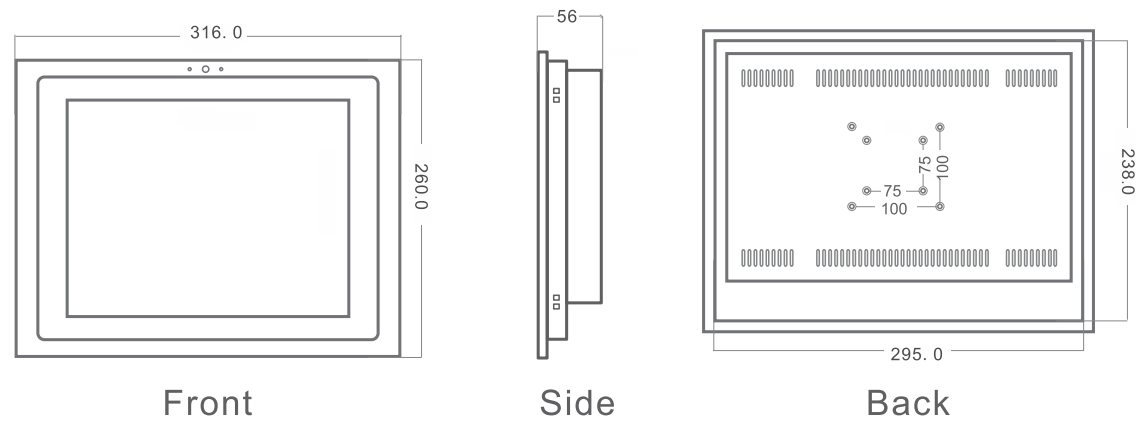
INSTALLATION DIMENSION

*Unit: mm

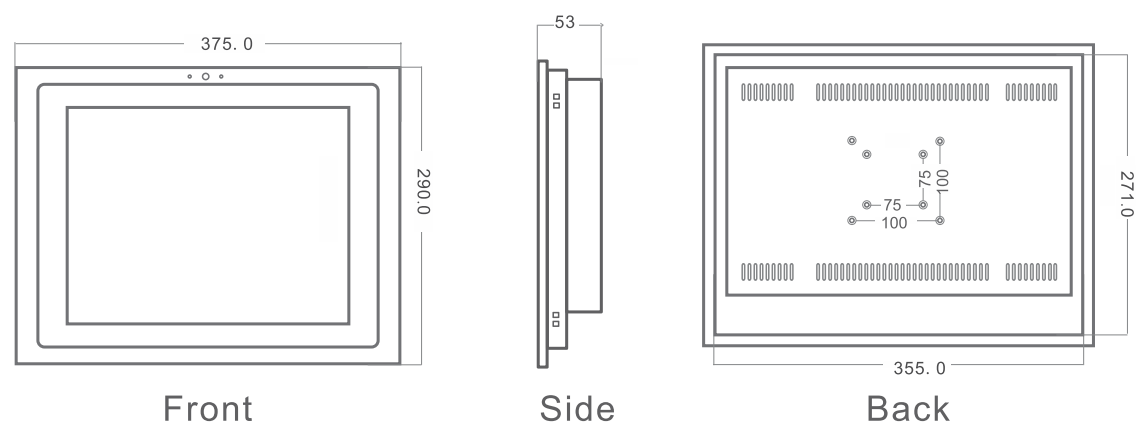
Product Size 10.4"



Product Size 12"



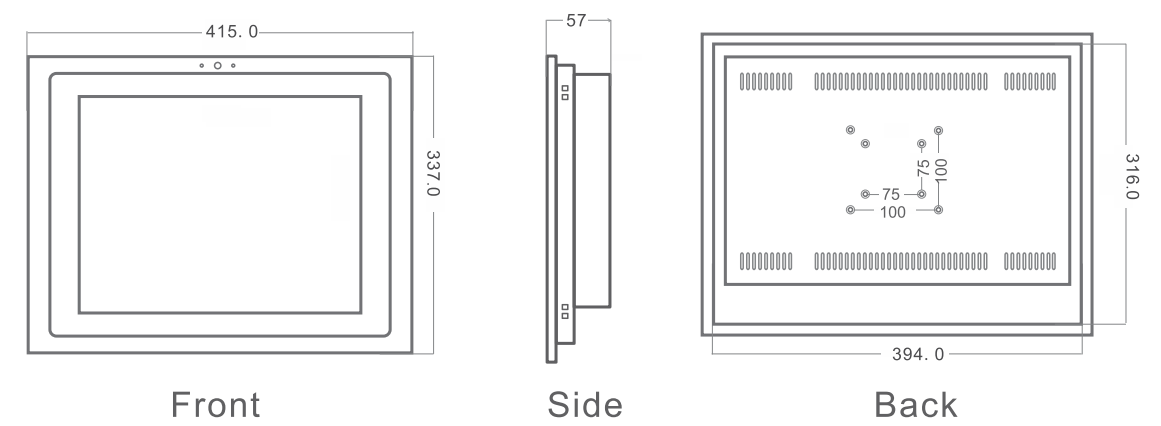
Product Size 15"



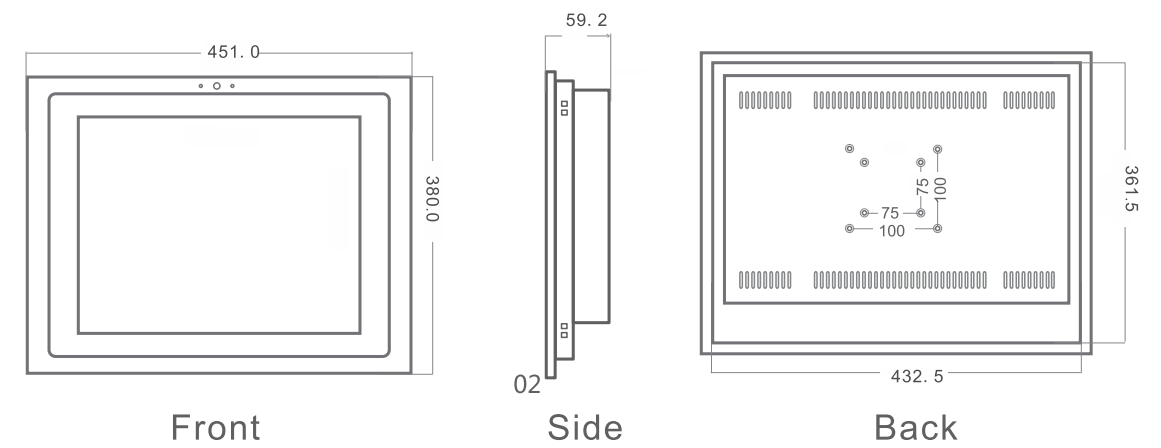
INSTALLATION DIMENSION

*Unit: mm

Product Size 17"



Product Size 19"



Product Size 21.5"

